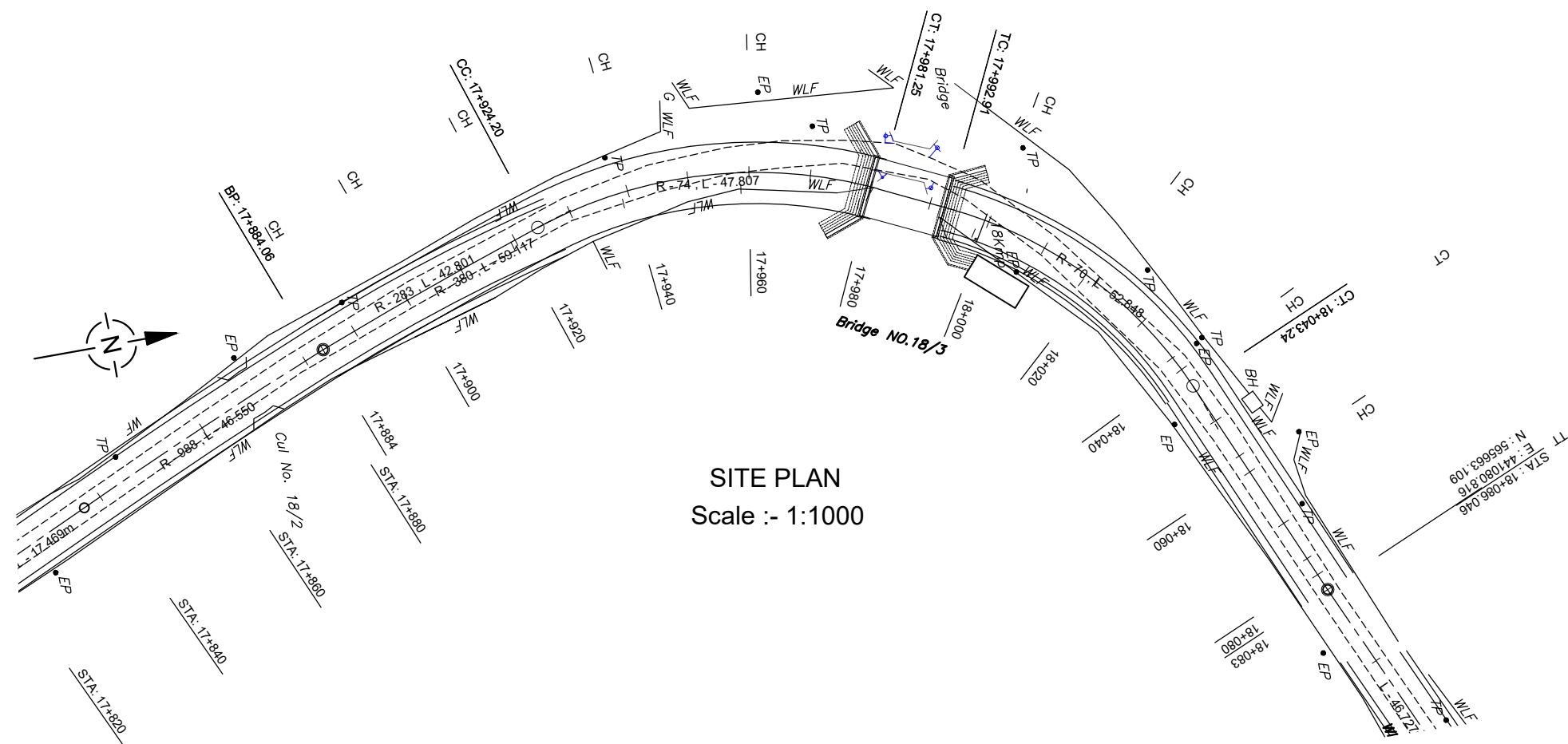


RECONSTRUCTION OF BRIDGE NO 18/3 ON KALUGAMUWA - VILAKATUPOTHA ROAD (B-190) BALANCE WORK





SITE PLAN
Scale :- 1:1000

RECONSTRUCTION OF BRIDGE NO 18/3 ON
KALUGAMUWA - VILAKATUPOTHA ROAD (B-190) BALANCE WORK

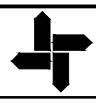
DRAWING TITLE:- PLAN & PROFILE

SCALE - 1:1000

REV	DESCRIPTION	BY	DATE

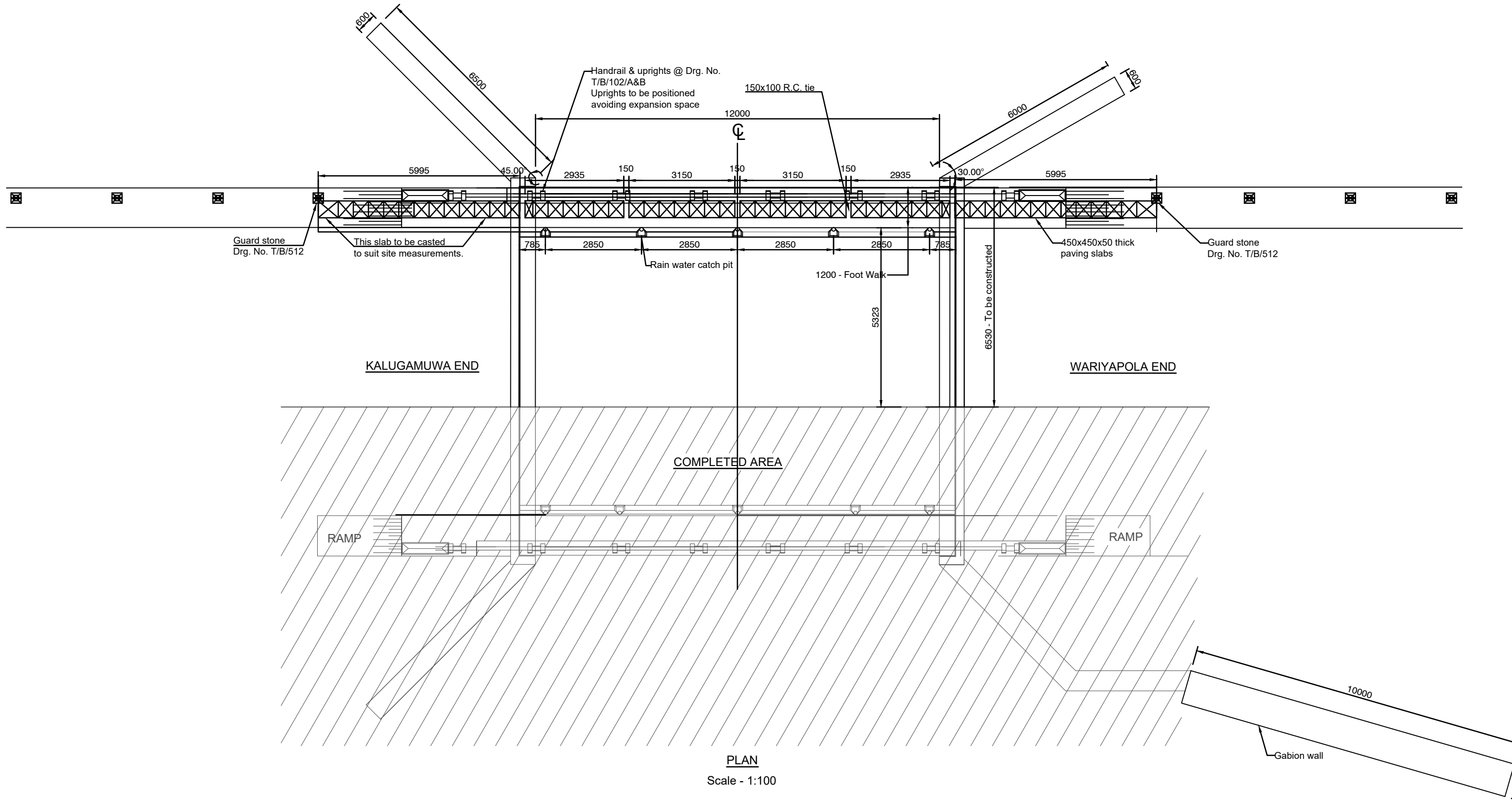


DEMOCRATIC SOCIALIST REPUBLIC OF SRI LANKA
MINISTRY OF HIGHWAYS & ROAD DEVELOPMENT



DESIGN OFFICE (NWP),
ROAD DEVELOPMENT AUTHORITY
KURUNEGALA.
TEL : 0372228836 FAX : 0372228076

SURVEYED & PLOTTED :	DESIGNED : T. G. S. D. Thannegedara	DRAWN : H. M. R. W. Herath	CHECKED :
C.E. (DESIGN) :	PROVINCIAL DIRECTOR :	DATE : 10-06-2024	DRG.No. : RDA/NWP/T/497-1



PLAN
Scale - 1:100

RECONSTRUCTION OF BRIDGE NO 18/3 ON
KALUGAMUWA - VILAKATUPOTHA ROAD (B-190) BALANCE WORK

REV	DESCRIPTION	BY	DATE

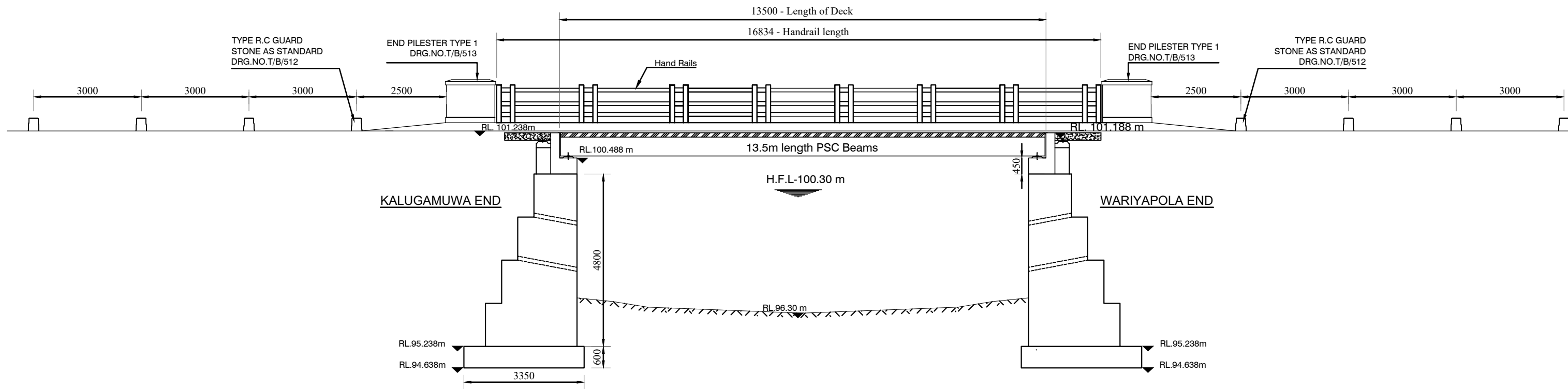
DEMOCRATIC SOCIALIST REPUBLIC OF SRI LANKA
MINISTRY OF HIGHWAYS & ROAD DEVELOPMENT

DESIGN OFFICE (NWP),
ROAD DEVELOPMENT AUTHORITY
KURUNEGALA.
TEL : 0372228836 FAX : 0372228076

SURVEYED & PLOTTED : DESIGNED : T. G. S. D. Thannegedara DRAWN : H. M. R. W. Herath CHECKED :

DRAWING TITLE:- PLAN VIEW OF BRIDGE SCALE - 1:100

C.E. (DESIGN) : PROVINCIAL DIRECTOR : DATE : 10-06-2024
DRG.No. : RDA/NWP/T/497-2



PERPENDICULAR SECTIONAL ELEVATION

Scale: 1:100

RECONSTRUCTION OF BRIDGE NO 18/3 ON
KALUGAMUWA - VILAKATUPOTHA ROAD (B-190) BALANCE WORK

REV	DESCRIPTION	BY	DATE



DEMOCRATIC SOCIALIST REPUBLIC OF SRI LANKA
MINISTRY OF HIGHWAYS & ROAD DEVELOPMENT



DESIGN OFFICE (NWP),
ROAD DEVELOPMENT AUTHORITY
KURUNEGALA.
TEL : 0372228836 FAX : 0372228076

SURVEYED & PLOTTED :

DESIGNED : T. G. S. D. Thannegedara

DRAWN : H. M. R. W. Herath

CHECKED :

DRAWING TITLE:- ELEVATION OF BRIDGE

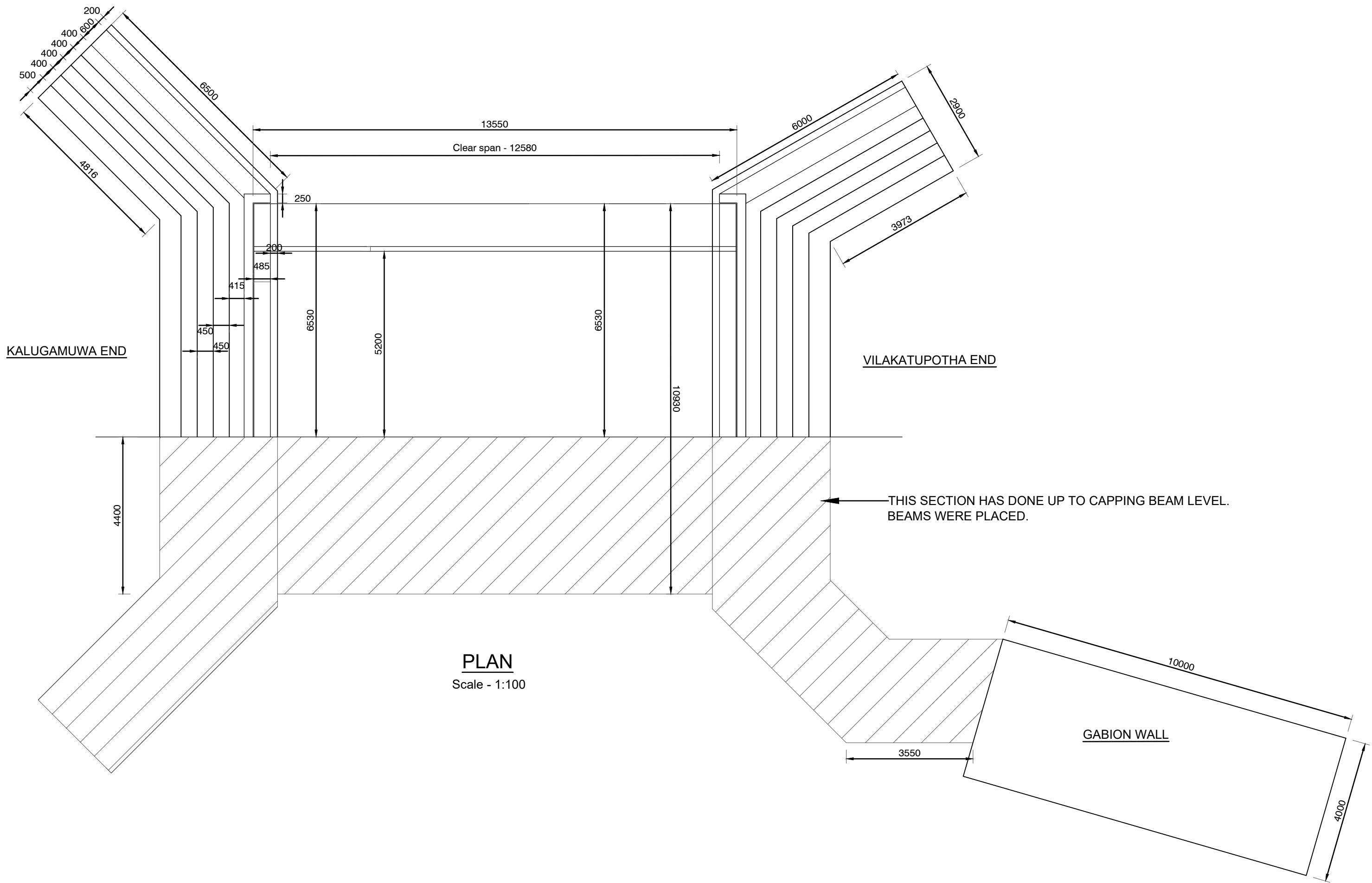
SCALE - 1:100

C.E. (DESIGN) :

PROVINCIAL DIRECTOR :

DATE : 10-06-2024

DRG.No. : RDA/NWP/T/497-3



RECONSTRUCTION OF BRIDGE NO 18/3 ON
KALUGAMUWA - VILAKATUPOTHA ROAD (B-190) BALANCE WORK

DRAWING TITLE:-FOUNDATION LAY OUT PLAN

SCALE - 1:100

REV	DESCRIPTION	BY	DATE

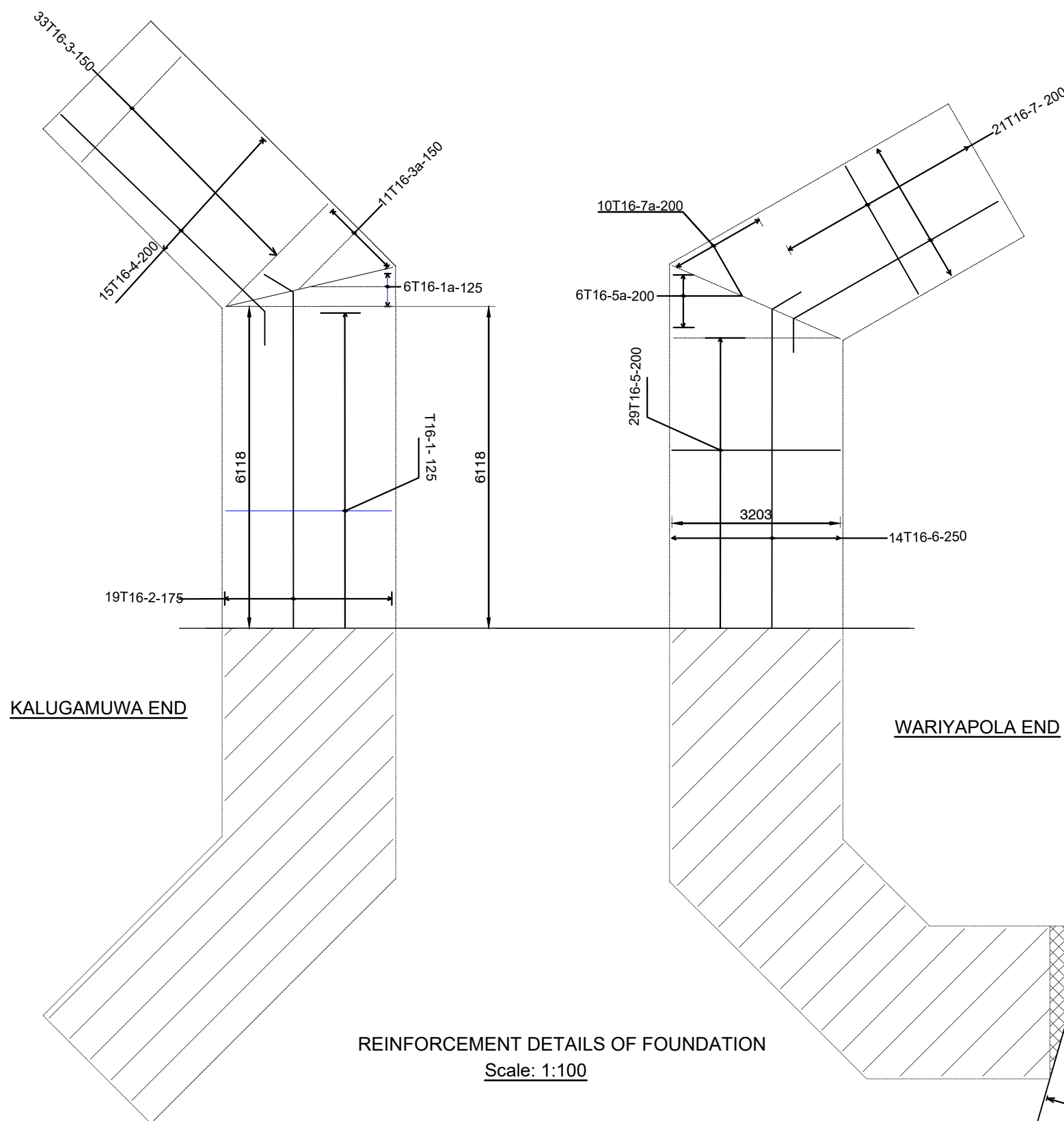


DEMOCRATIC SOCIALIST REPUBLIC OF SRI LANKA
MINISTRY OF HIGHWAYS & ROAD DEVELOPMENT



DESIGN OFFICE (NWP),
ROAD DEVELOPMENT AUTHORITY
KURUNEGALA.
TEL : 0372228836 FAX : 0372228076

SURVEYED & PLOTTED :	DESIGNED : T. G. S. D. Thannegedara	DRAWN : H. M. R. W. Herath	CHECKED :
C.E. (DESIGN) :	PROVINCIAL DIRECTOR :	DATE : 10-06-2024	DRG.No. : RDA/NWP/T/497-4



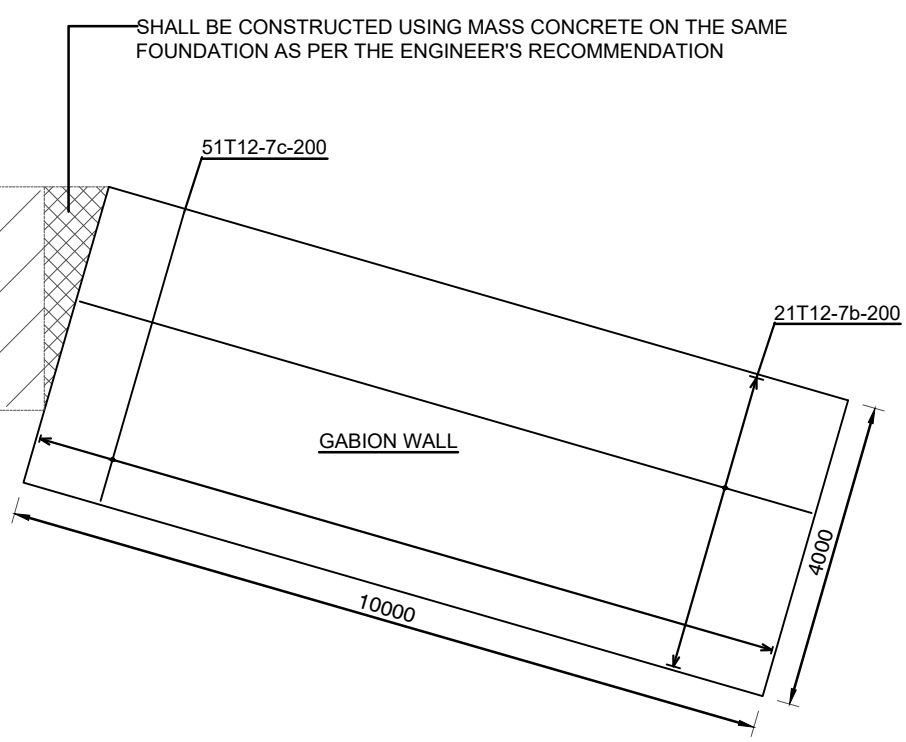
SCHEDULE OF REINFORCEMENT								
LOCATION	MARK	TYPE	DIA	NO OFF	CUT .LE. mm	WEIGHT Kg	SHAPE	
Foundation slab (Abutment & Wing wall)	Kalugamuwa End	1	T	16	49	7370 VA	570.58	
		1a	T	16	06	4218	44.90	
		2	T	16	19	4156	124.83	
		3	T	16	33	5652 VA	295.35	
	Wariyapola End	3a	T	16	11	3945	68.75	
		4	T	16	15	3778	90.00	
		5	T	16	29	7370 VA	337.85	
		5a	T	16	06	4349	41.40	
Foundation Slab Gabion wall	6	T	16	14	4203	93.10		
	7	T	16	21	5880	195.30		
	7a	T	16	10	4100	65.0		
Foundation Slab Gabion wall	7b	T	12	21	4450	82.98		
	7c	T	12	51	10200	461.93		

NOTES -

MINIMUM COVER TO REINFORCEMENT
 FOUNDATIONS - 50 mm
 CAPPING BEAM - 40 mm

CONCRETE:
 FOUNDATIONS - G 25 (19)
 CAPPING BEAM - G 25 (19)
 ABUTMENT & WING WALL - G15(37.5)
 DECK - G 40 (19)

SHALL BE CONSTRUCTED USING MASS CONCRETE ON THE SAME FOUNDATION AS PER THE ENGINEER'S RECOMMENDATION



RECONSTRUCTION OF BRIDGE NO 18/3 ON
 KALUGAMUWA - VILAKATUPOTHA ROAD (B-190) BALANCE WORK

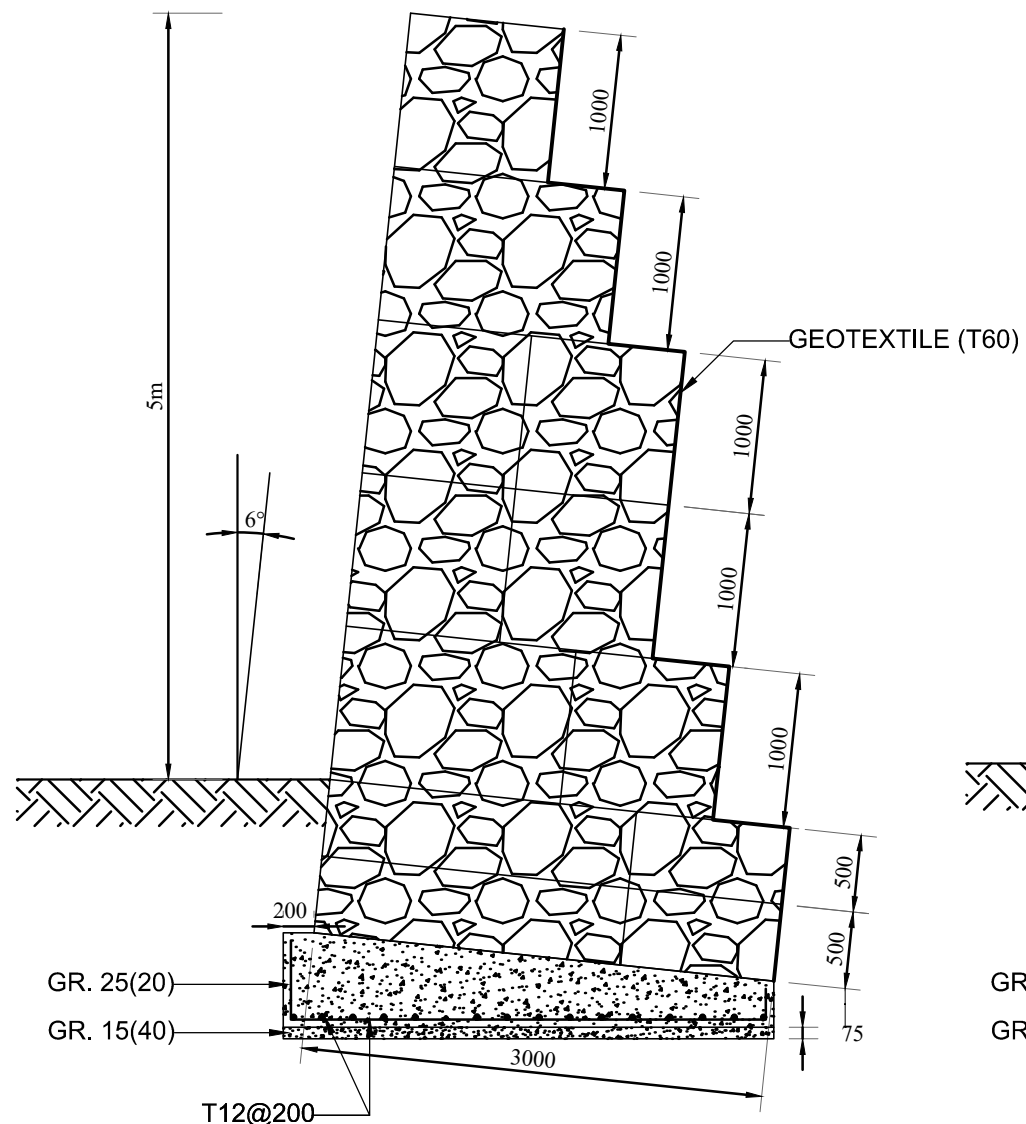
REV	DESCRIPTION	BY	DATE

DEMOCRATIC SOCIALIST REPUBLIC OF SRI LANKA
 MINISTRY OF HIGHWAYS & ROAD DEVELOPMENT

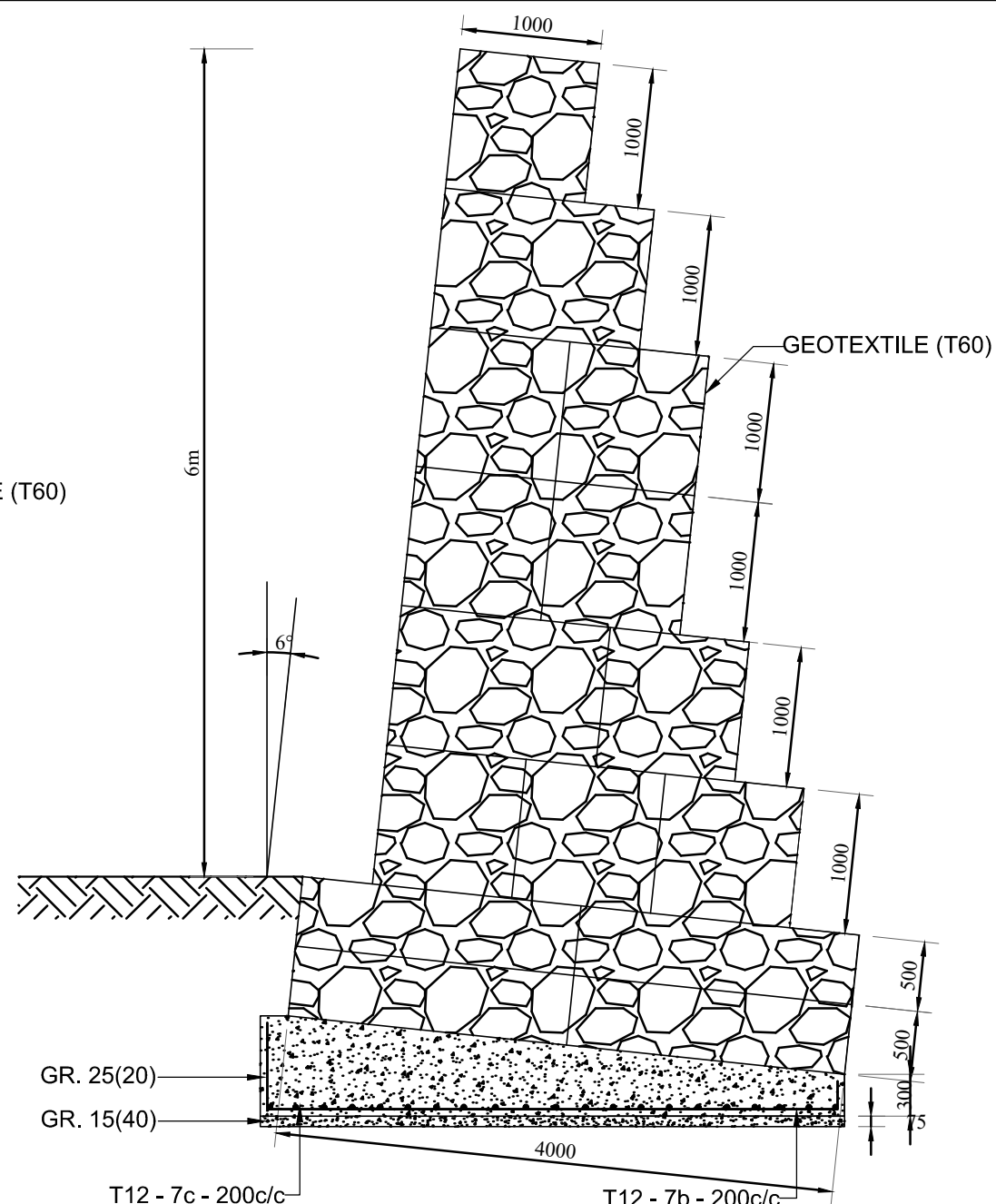
DESIGN OFFICE (NWP),
 ROAD DEVELOPMENT AUTHORITY
 KURUNEGALA.
 TEL : 0372228836 FAX : 0372228076

SURVEYED & PLOTTED :	DESIGNED :W.M.C.P.K. Wijepala	DRAWN :	CHECKED :
C.E. (DESIGN) :	PROVINCIAL DIRECTOR :	DATE : 22-10-2015	DRG.No. : RDA/NWP/T/497-5

DRAWING TITLE:-REINFORCEMENT DETAILS OF FOUNDATION SCALE - 1:50



TYPE G.B.R.5
Scale: 1:50



TYPE G.B.R.6
Scale: 1:50

GENERAL NOTES:

- a) ALL DIMENSIONS ARE MILLIMETERS UNLESS OTHERWISE
- b) ALL MATERIALS AND WORKMANSHIP ARE TO BE IN ACCORDANCE WITH REQUIREMENT OF THE SPECIFICATION.
- c) RUBBLE BASE TO BE CONSTRUCTED USING 150mmX225mm RUBBLE WITH 40mm AGGREGATES BY COMPACTING USING 2.5T ROLLER OR PLATE VIBRATOR.
- d) NON WOVEN GEOTEXTILE TO BE USED AS FILTER MEDIA FOR BACKSIDE OF THE WALL AS SHOWN IN THE DRAWING.

RECONSTRUCTION OF BRIDGE NO 18/3 ON
KALUGAMUWA - VILAKATUPOTHA ROAD (B-190) BALANCE WORK

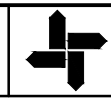
DRAWING TITLE:-DETAILS OF GABION WALL

SCALE - 1:50

REV	DESCRIPTION	BY	DATE

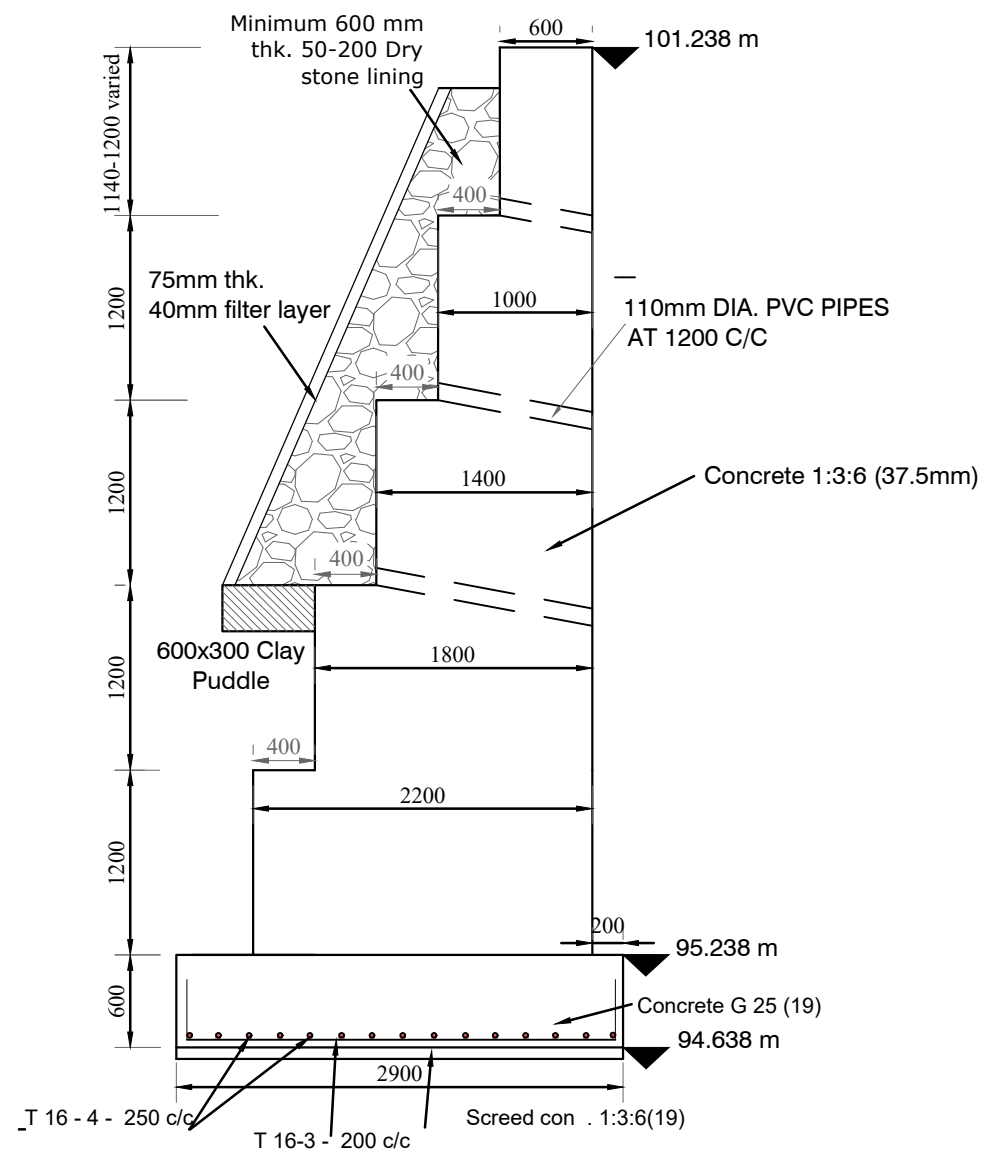


DEMOCRATIC SOCIALIST REPUBLIC OF SRI LANKA
MINISTRY OF HIGHWAYS & ROAD DEVELOPMENT

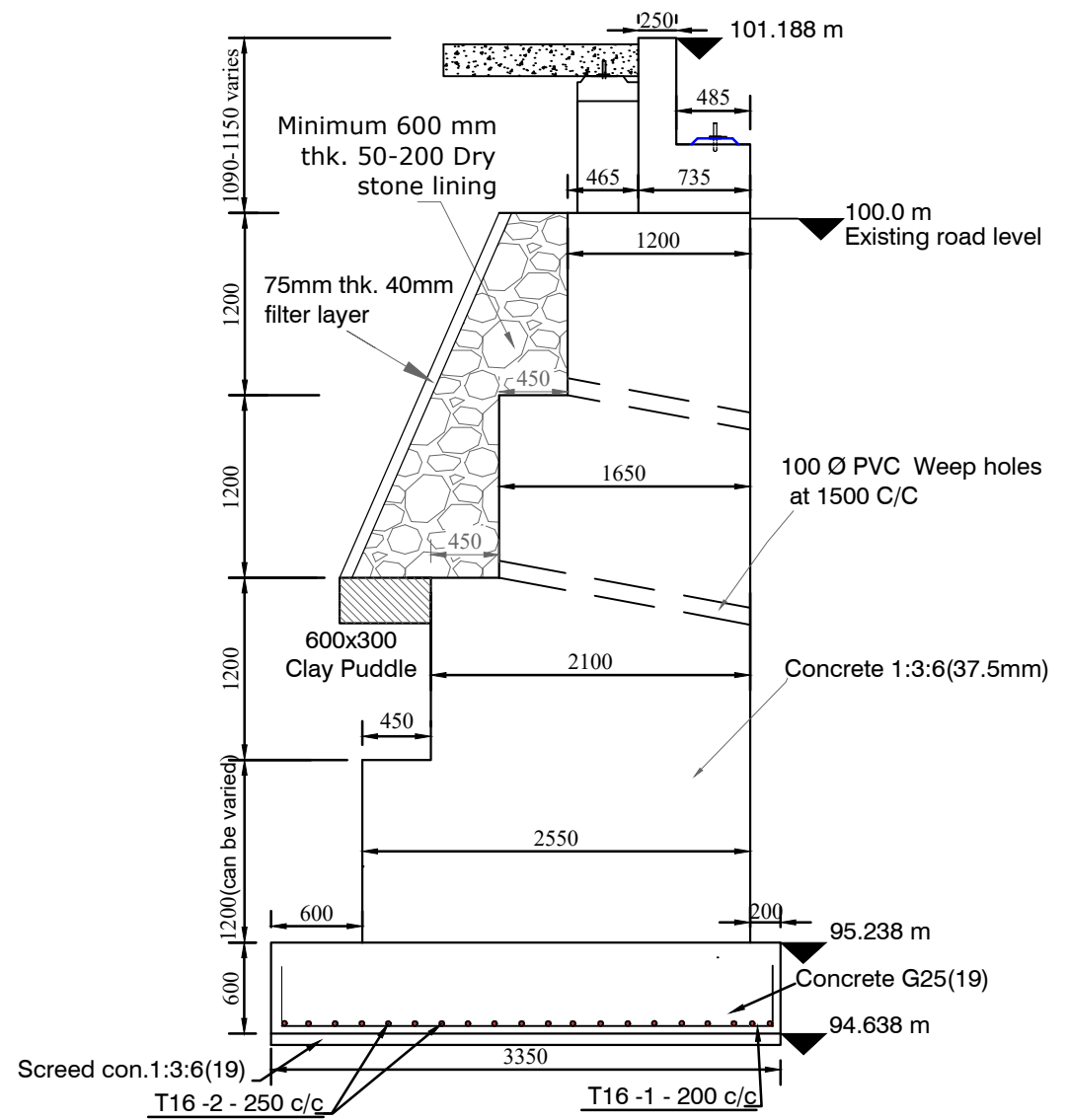


DESIGN OFFICE (NWP),
ROAD DEVELOPMENT AUTHORITY
KURUNEGALA.
TEL : 0372228836 FAX : 0372228076

SURVEYED & PLOTTED :	DESIGNED : T. G. S. D. Thannegedara	DRAWN : H. M. R. W. Herath	CHECKED :
C.E. (DESIGN) :	PROVINCIAL DIRECTOR :	DATE : 10-06-2024 DRG.No. : RDA/NWP/T/497-6	



**CROSS SECTION OF WINGWALL
BOTH ENDS**
Scale: 1:50



**CROSS SECTION OF ABUTMENT
BOTH ENDS**
Scale: 1:50

NOTES -

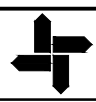
MINIMUM COVER TO REINFORCEMENT
FOUNDATIONS - 50 mm
CAPPING BEAM - 40 mm

CONCRETE:
FOUNDATIONS - G 25 (19)
CAPPING BEAM - G 25 (19)
ABUTMENT & WING WALL - G15(37.5)
DECK - G 40 (19)

RECONSTRUCTION OF BRIDGE NO 18/3 ON
KALUGAMUWA - VILAKATUPOTHA ROAD (B-190) BALANCE WORK

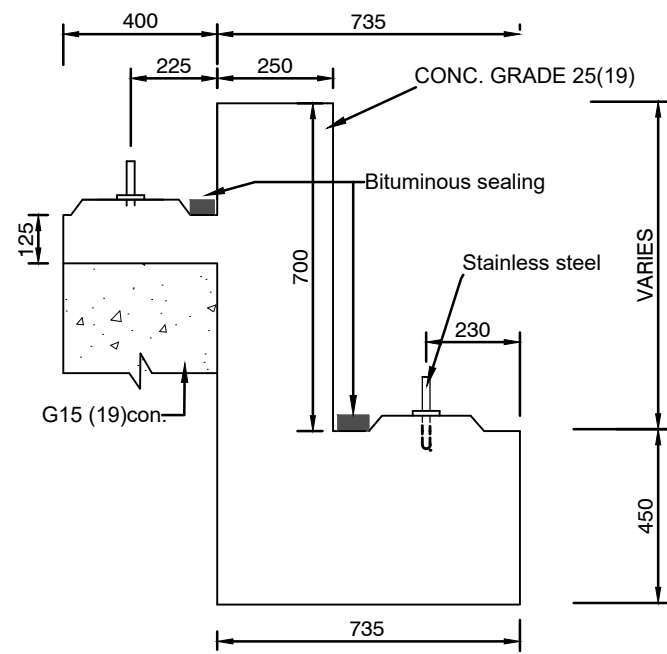
REV	DESCRIPTION	BY	DATE

DEMOCRATIC SOCIALIST REPUBLIC OF SRI LANKA
MINISTRY OF HIGHWAYS & ROAD DEVELOPMENT

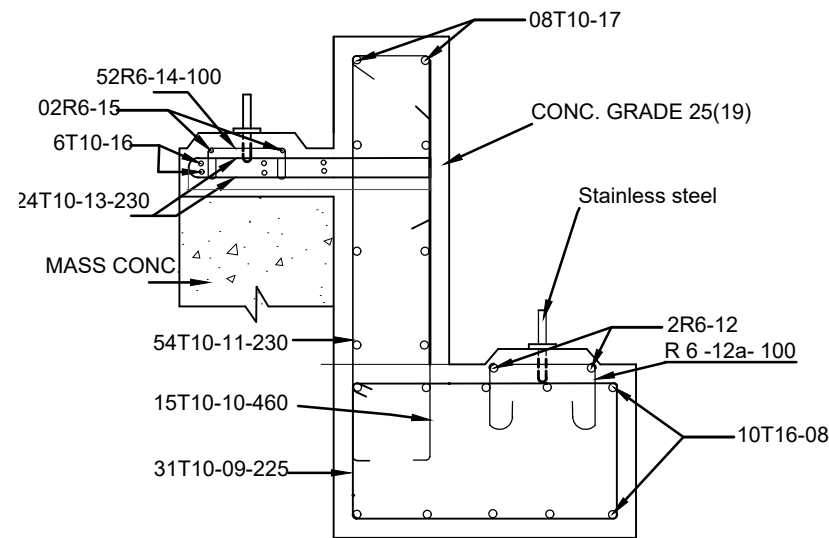


DESIGN OFFICE (NWP),
ROAD DEVELOPMENT AUTHORITY
KURUNEGALA.
TEL : 0372228836 FAX : 0372228076

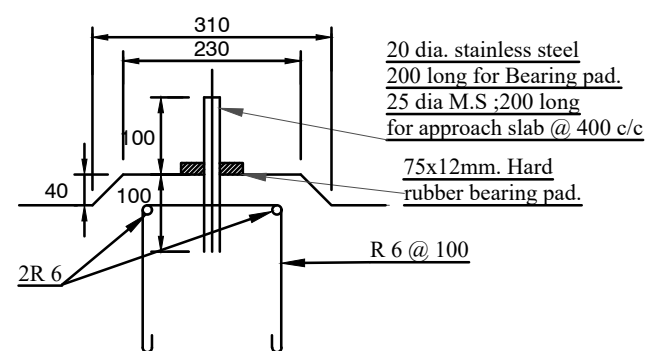
SURVEYED & PLOTTED :	DESIGNED : T. G. S. D. Thannegedara	DRAWN : H. M. R. W. Herath	CHECKED :
C.E. (DESIGN) :	PROVINCIAL DIRECTOR :	DATE : 10-06-2024	DRG.No. : RDA/NWP/T/497-7



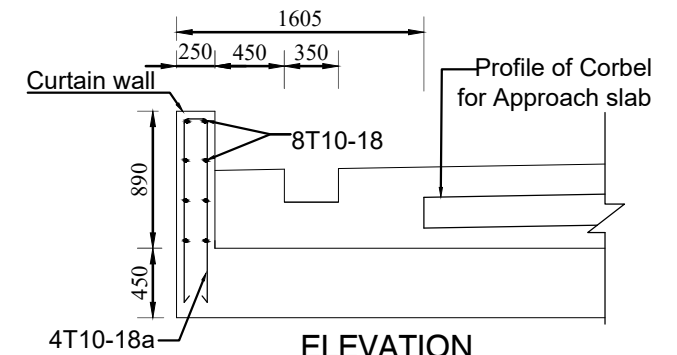
DETAIL OF CAPPING BEAM
Scale - 1:20



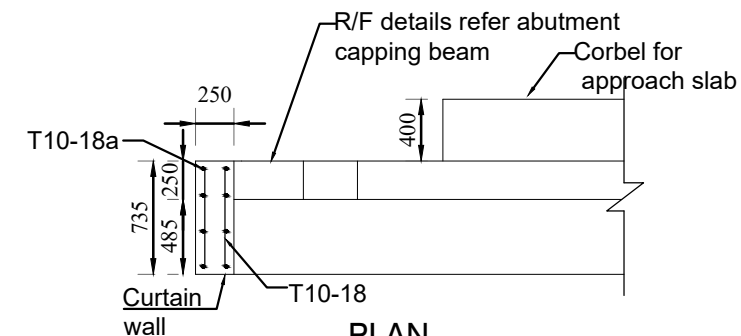
R/F DETAIL OF CAPPING BEAM
Scale - 1:20



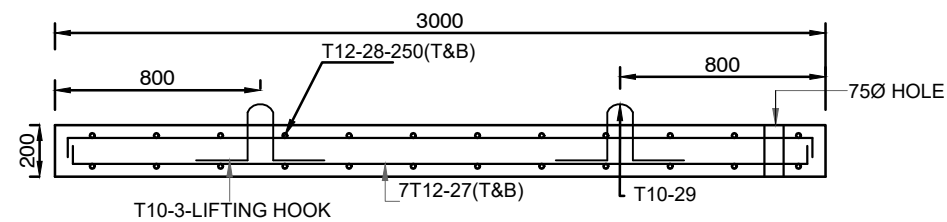
R.C. DETAIL OF BEARING SEAT
SCALE -1:10



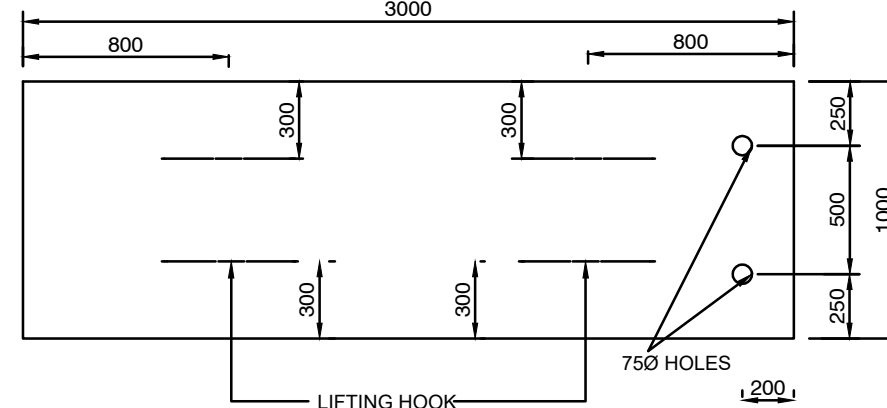
ELEVATION
Scale: 1:50



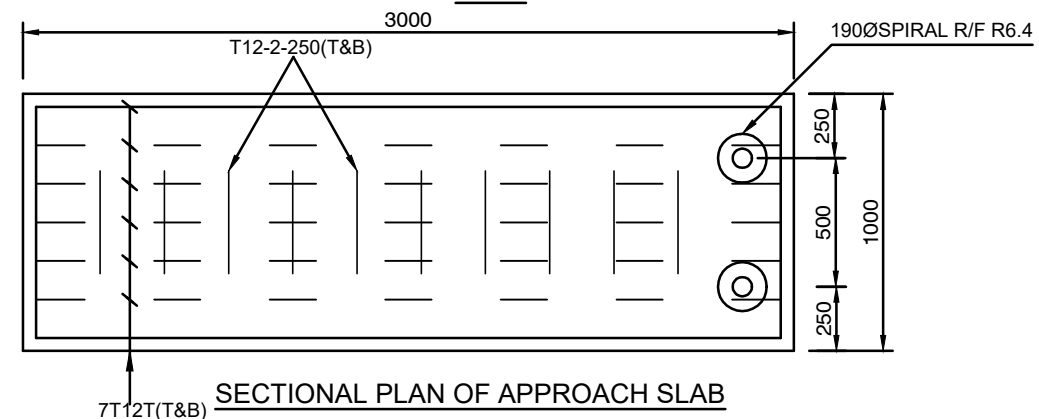
PLAN
Scale: 1:50
DETAILS OF CURTAIN WALL



SECTION



PLAN



SECTIONAL PLAN OF APPROACH SLAB
Scale: 1:30

SCHEDULE OF REINFORCEMENT

LOCATION	MARK	TYPE	DIA	NO OFF	CUT .L.E. mm	WEIGHT Kg	SHAPE
CAPPING BEAM	8	T	10	31x2	2120	81.00	(8) 75 350 (12) 6430
	9	T	16	31x2	6700	656.33	635
	10	T	10	15x2	1245	26.00	(9) 6700 (11) 1045 (12a) 250 150
	11	T	10	31x2	1045	40.00	(10) 200 1045 (14) 250 150
	12	R	6	02x2	6430	5.70	(13) 600 150 (15) 5095
	12a	R	6	66x2	700	20.52	(16) 5095
	13	T	10	24x2	1575	46.65	(17) 6705 (18a) 150 1190
	14	R	6	52x2	700	16.20	(18) 635
	15	R	6	02x2	5095	4.52	
	16	R	6	06x2	5095	13.60	
CURTAIN WALL	17	T	10	08x2	6705	66.20	
	18	T	10	08x2	635	6.27	
	18a	T	10	04x2	2530	12.50	

RECONSTRUCTION OF BRIDGE NO 18/3 ON
KALUGAMUWA - VILAKATUPOTHA ROAD (B-190) BALANCE WORK

REV	DESCRIPTION	BY	DATE



DEMOCRATIC SOCIALIST REPUBLIC OF SRI LANKA
MINISTRY OF HIGHWAYS & ROAD DEVELOPMENT

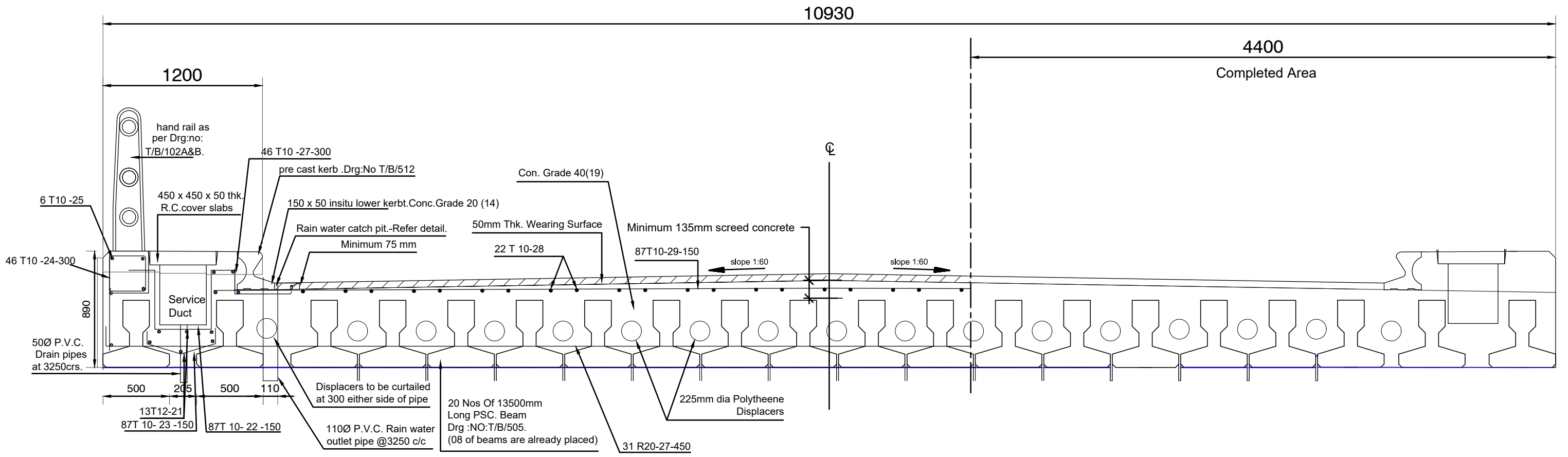


DESIGN OFFICE (NWP),
ROAD DEVELOPMENT AUTHORITY
KURUNEGALA.
TEL : 0372228836 FAX : 0372228076

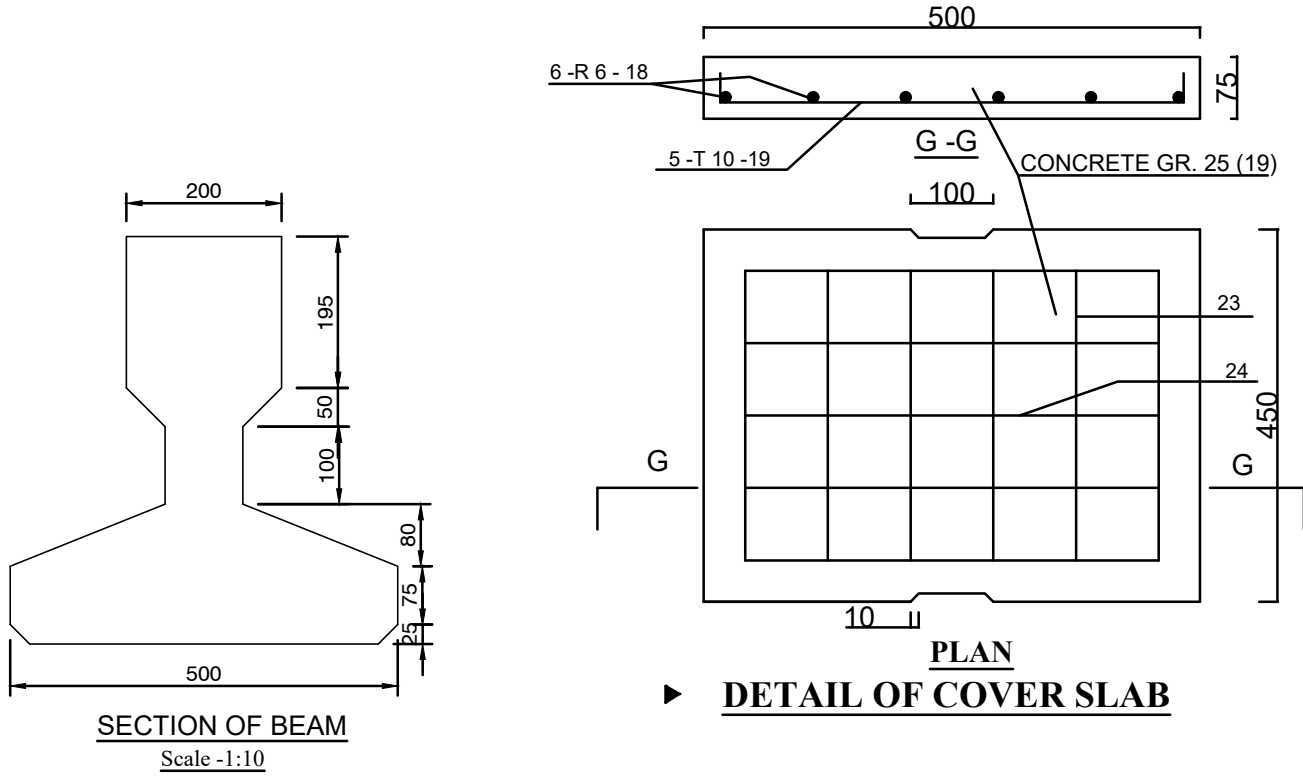
SURVEYED & PLOTTED :	DESIGNED : T. G. S. D. Thannegedara	DRAWN : H. M. R. W. Herath	CHECKED :
C.E. (DESIGN) :	PROVINCIAL DIRECTOR :	DATE : 10-06-2024	DRG.No. : RDA/NWP/T/497-8

DRAWING TITLE:-CAPPING BEAM DETAILS

SCALE - AS SHOWN



CROSS SECTION OF DECK
Scale: 1:30



SCHEDULE OF REINFORCEMENT

LOCATION	MARK	TYPE	DIA	NO OFF	CUT .L.E. mm	WEIGHT Kg	SHAPE
COVER SLAB	19	R	6	6	400	0.53	(19) 400 (20) 50 450 50
	20	T	10	5	500	1.54	(21) 13400 (22) 200 200 (24) 13400
FOOT WALK & DECK	21	T	12	26	13400	309.4	(23) 100 270 425 (24) 13400
	22	T	10	182	1675	188.1	(25) 270 270 75 650 (26) 425 425
	23	T	10	182	740	83.1	(27) 270 260 75 650 (28) 13400 200
	24	T	10	12	13400	99.22	(29) 400 200
	25	T	10	92	1600	90.82	(28) 13400 (29) 5700
	26	T	10	92	600	34.06	(27) 150 5442
	27	R	20	16	5592	220.10	(29) 5700
	28	T	10	22	13400	197.82	
	29	T	10	39	5700	150.00	

RECONSTRUCTION OF BRIDGE NO 18/3 ON KALUGAMUWA - VILAKATUPOTHA ROAD (B-190) BALANCE WORK

DRAWING TITLE:- DETAILS OF DECK

SCALE - AS STATED

REV	DESCRIPTION	BY	DATE



DEMOCRATIC SOCIALIST REPUBLIC OF SRI LANKA
MINISTRY OF HIGHWAYS & ROAD DEVELOPMENT

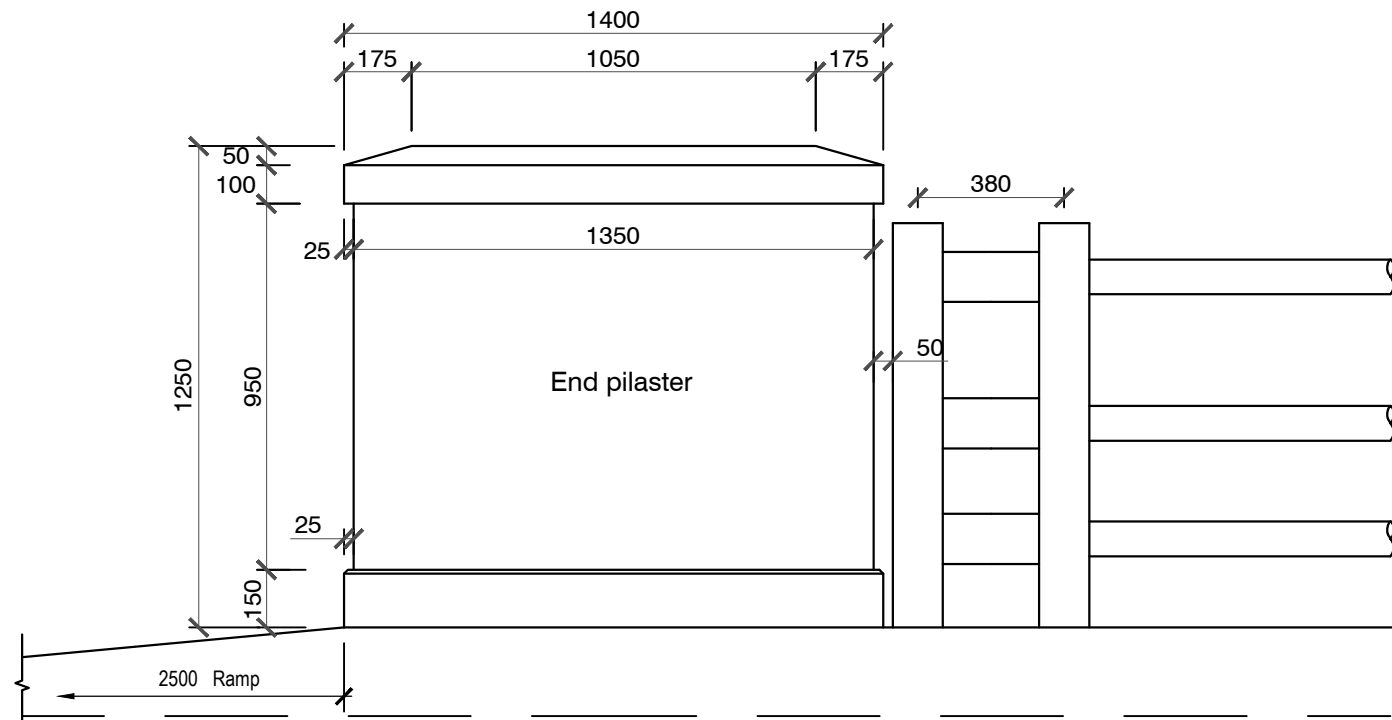


DESIGN OFFICE (NWP),
ROAD DEVELOPMENT AUTHORITY
KURUNEGALA.
TEL: 0372228836 FAX: 0372228076

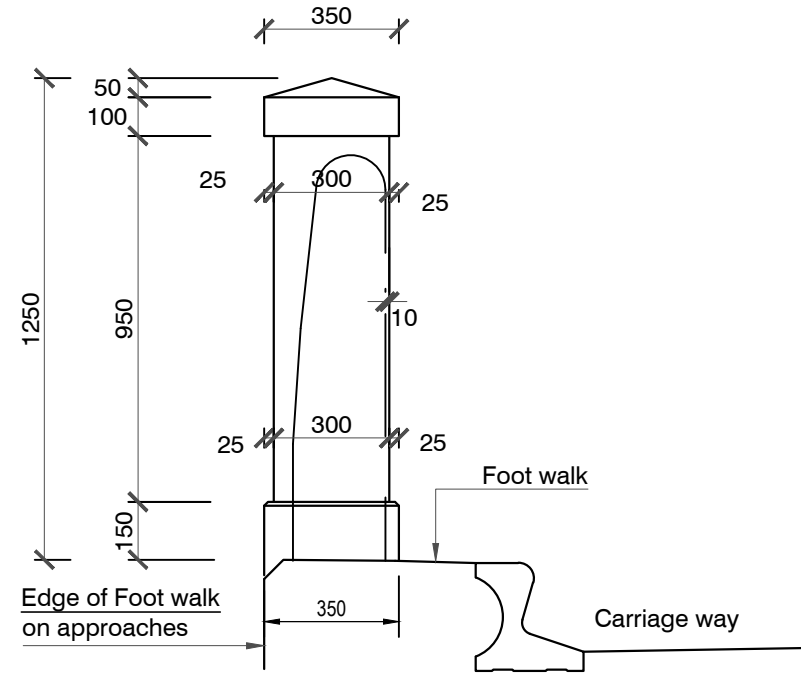
SURVEYED & PLOTTED : DESIGNED : T. G. S. D. Thannegedara DRAWN : H. M. R. W. Herath CHECKED :

C.E. (DESIGN) : PROVINCIAL DIRECTOR : DATE : 10-06-2024 DRG.No. : RDA/NWP/T/497-9

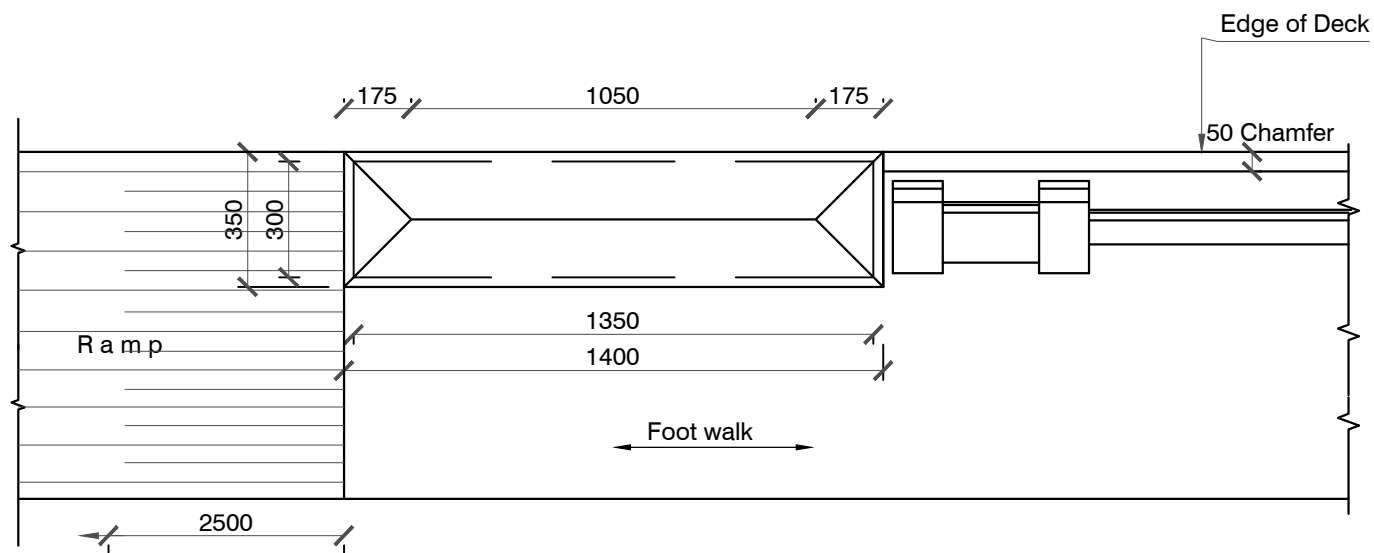
END PILLASTER TYPE : 1



ELEVATION



END ELEVATION



PLAN

NOTES :

1. Dimensions shall not be obtained by scaling.
2. All workmanship and materials are to be in accord with requirements of the specification and by laws of the authority.
3. All dimensions are in millimeters.
4. Clear cover to reinforcement 50mm. unless otherwise stated.
5. All exposed surfaces to be of smooth finish.

RECONSTRUCTION OF BRIDGE NO 18/3 ON
KALUGAMUWA - VILAKATUPOTHA ROAD (B-190) BALANCE WORK

REV	DESCRIPTION	BY	DATE



DEMOCRATIC SOCIALIST REPUBLIC OF SRI LANKA
MINISTRY OF HIGHWAYS & ROAD DEVELOPMENT



DESIGN OFFICE (NWP),
ROAD DEVELOPMENT AUTHORITY
KURUNEGALA.
TEL : 0372228836 FAX : 0372228076

SURVEYED & PLOTTED :

DESIGNED : T. G. S. D. Thannegedara

DRAWN : H. M. R. W. Herath

CHECKED :

DRAWING TITLE:-DETAILS OF END PILASTER

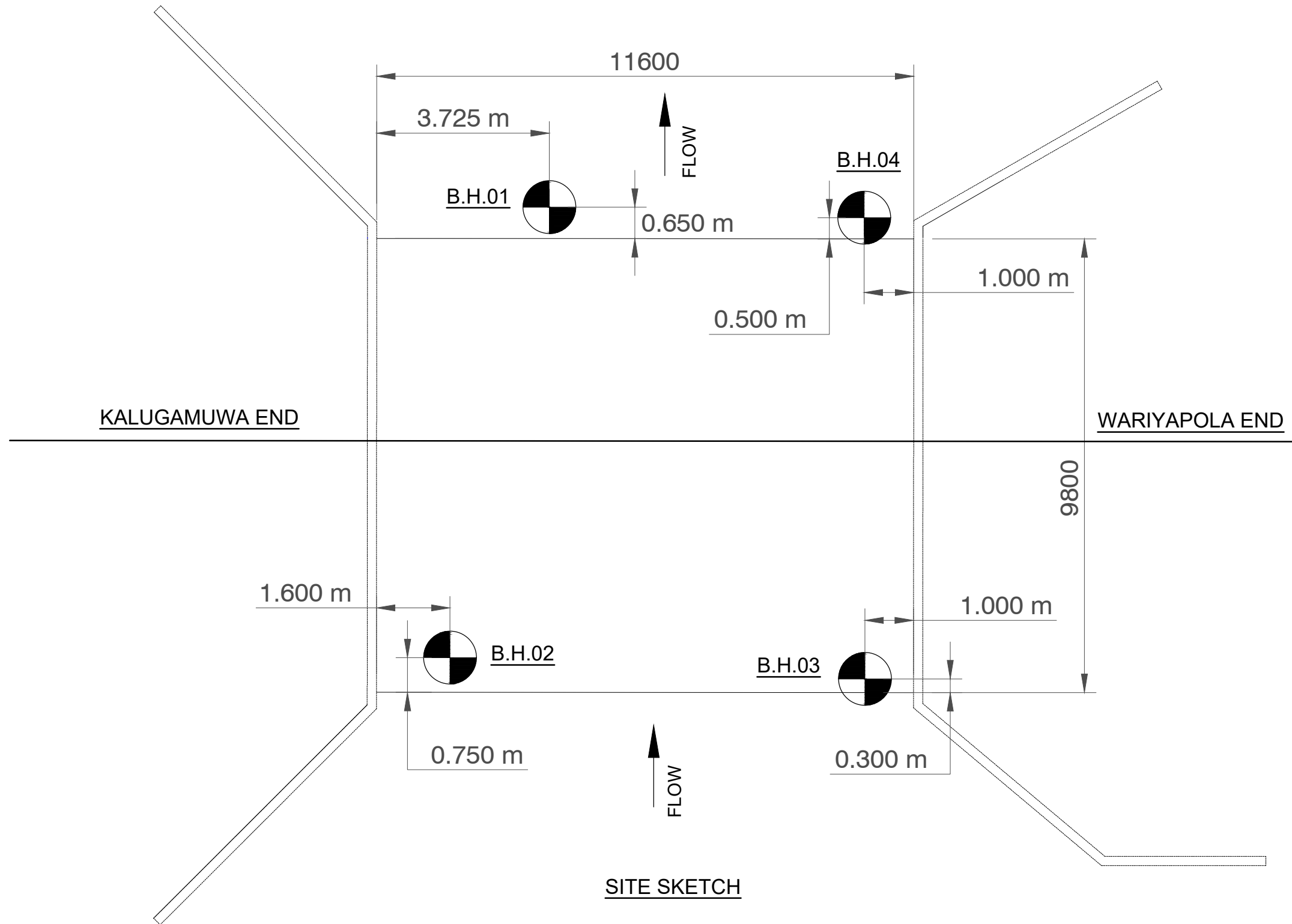
SCALE - 1:20

C.E. (DESIGN) :

PROVINCIAL DIRECTOR :

DATE : 10-06-2024

DRG.No. : RDA/NWP/T/497-10



RECONSTRUCTION OF BRIDGE NO 18/3 ON
KALUGAMUWA - VILAKATUPOTHA ROAD (B-190) BALANCE WORK

REV	DESCRIPTION	BY	DATE



DEMOCRATIC SOCIALIST REPUBLIC OF SRI LANKA
MINISTRY OF HIGHWAYS & ROAD DEVELOPMENT



DESIGN OFFICE (NWP),
ROAD DEVELOPMENT AUTHORITY
KURUNEGALA.
TEL : 0372228836 FAX : 0372228076

SURVEYED & PLOTTED :

DESIGNED : T. G. S. D. Thannegedara

DRAWN : H. M. R. W. Herath

CHECKED :

DRAWING TITLE:- BORE HOLE PLAN

SCALE - Not to scale

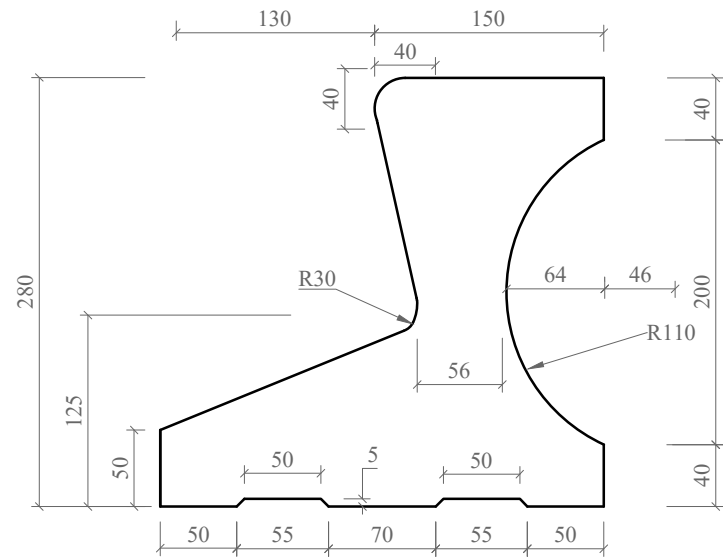
C.E. (DESIGN) :

PROVINCIAL DIRECTOR :

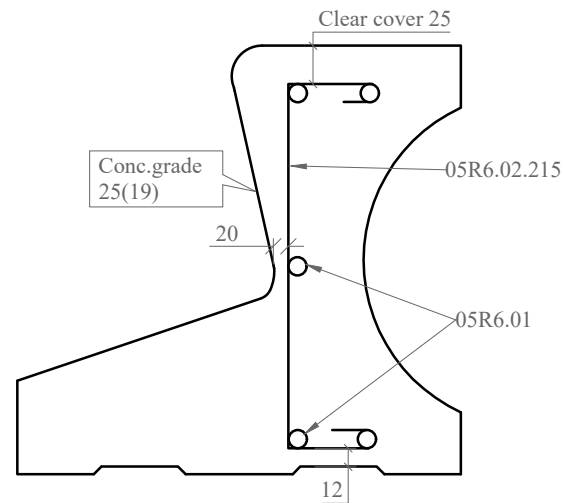
DATE : 10-06-2024

DRG.No. : RDA/NWP/T/497-11

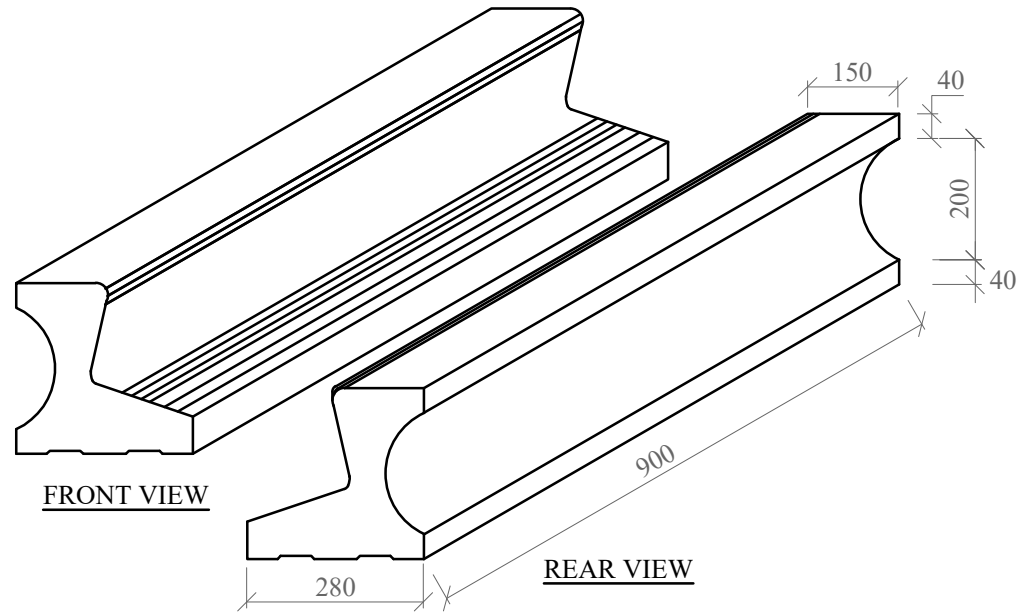
DETAILS OF PRE CAST KERB



SECTION
Scale 1:5



R.C. DETAIL
Scale 1:5



ISOMETRIC VIEW

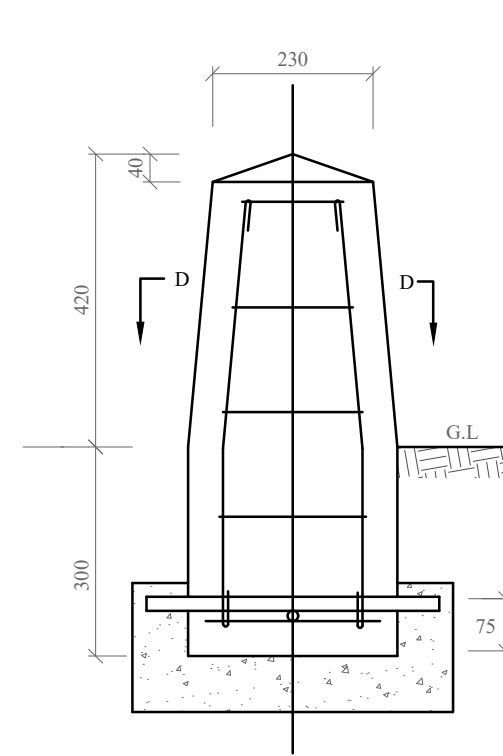
SCHEDULE OF R/F FOR PRE CAST KERB					
Mark	Dia	Type	No of bars	Cut length	Bending
1	6	R	05	850	850
2	6	R	05	410	50 35 240

GENERAL NOTES.

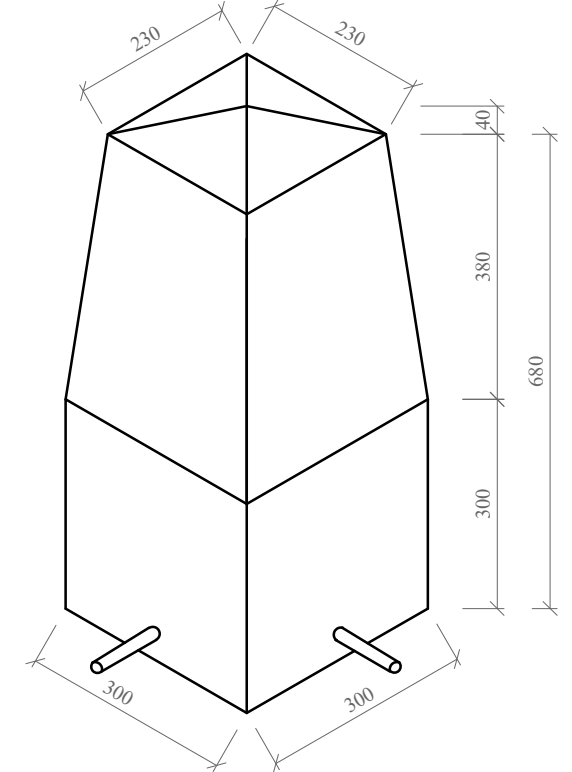
1. Dimensions shall not be obtained by scaling.
2. All workmanship and materials are to be in accord with requirement of the specification and by laws of the authority
3. All dimensions are in millimeters.
4. All bars marked 'R' shall be hot rolled mild steel plain bars.
5. All bars marked 'T' shall be tor steel.
6. Clear cover to reinforcement 50mm unless otherwise stated.
7. All exposed surfaced to be of smooth finish.

SCHEDULE OF R/F FOR PRE CAST GUARD STONE					
Mark	Dia	Type	No of bars	Cut length	Bending
1	10	R	04	800	
2	6	R	02	1035	
3	6	R	01	995	
4	6	R	01	875	
5	6	R	01	755	

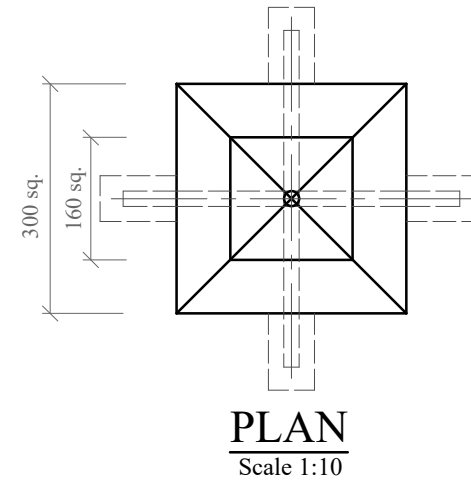
DETAILS OF GUARD STONE



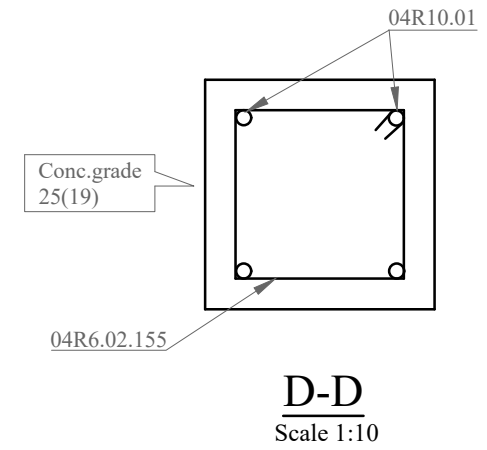
SECTIONAL ELEVATION



ISOMETRIC VIEW



PLAN
Scale 1:10



D-D
Scale 1:10

NOTE-GUARD STONE;

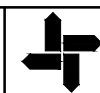
1. Guard stone to be placed on 75 thick screed concrete grade 15(40).
2. 16 Dia. bars 450 long to be inserted to 20 Dia holes provided at bottom of guard stone.
3. Protruding end of bars to be encased in concrete of grade 15(40).

RECONSTRUCTION OF BRIDGE NO 18/3 ON
KALUGAMUWA - VILAKATUPOTHA ROAD (B-190) BALANCE WORK

REV	DESCRIPTION	BY	DATE

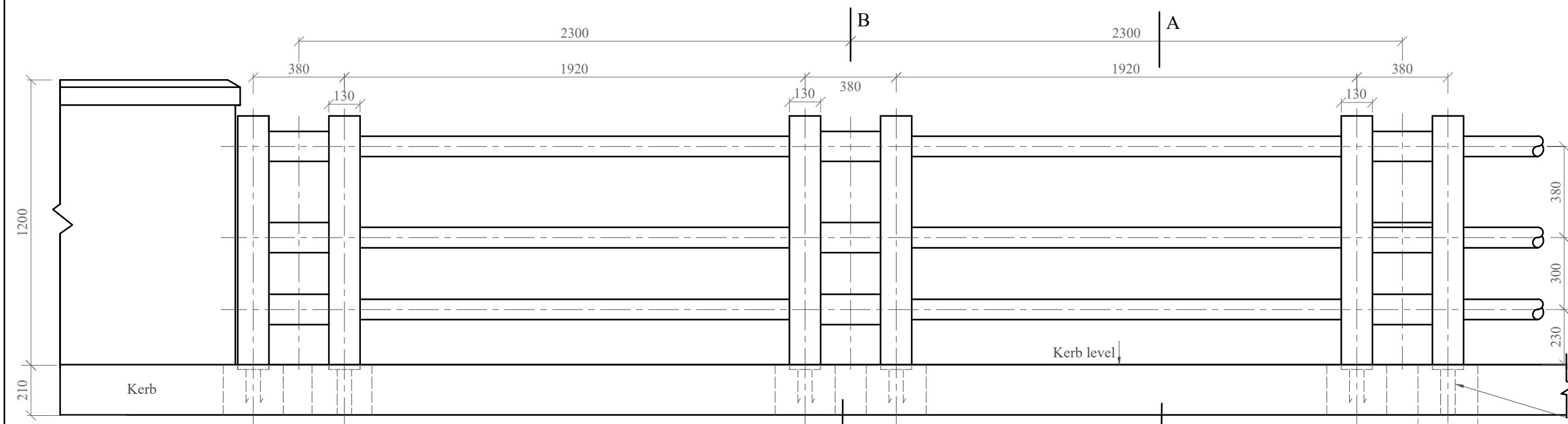


DEMOCRATIC SOCIALIST REPUBLIC OF SRI LANKA
MINISTRY OF HIGHWAYS & ROAD DEVELOPMENT

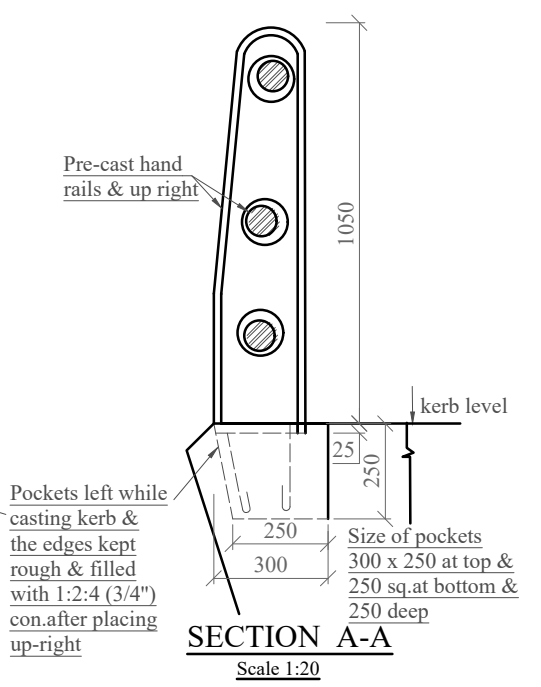


DESIGN OFFICE (NWP),
ROAD DEVELOPMENT AUTHORITY
KURUNEGALA.
TEL : 0372228836 FAX : 0372228076

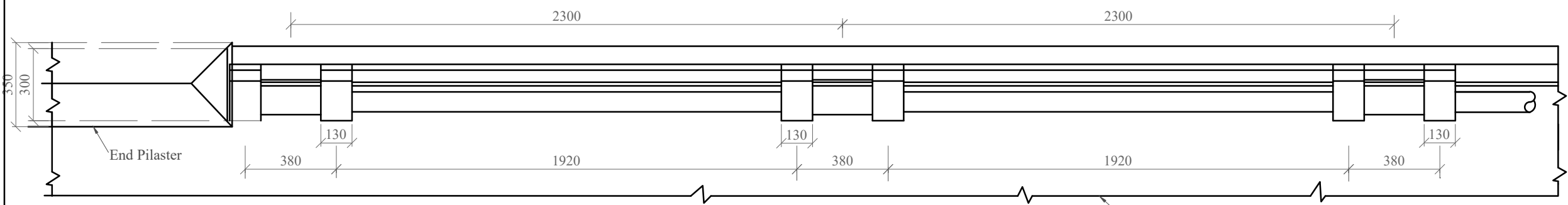
SURVEYED & PLOTTED :	DESIGNED : T. G. S. D. Thannegedara	DRAWN : H. M. R. W. Herath	CHECKED :
C.E. (DESIGN) :	PROVINCIAL DIRECTOR :	DATE : 10-06-2024 DRG.No. : RDA/NWP/T/497-12	



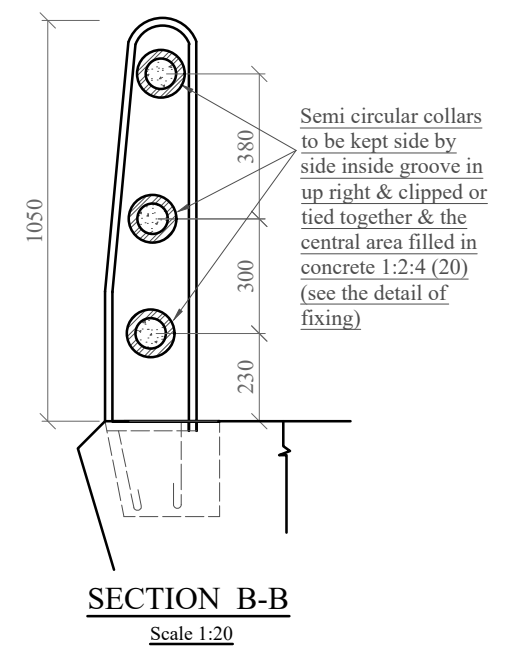
ELEVATION
Scale 1:20



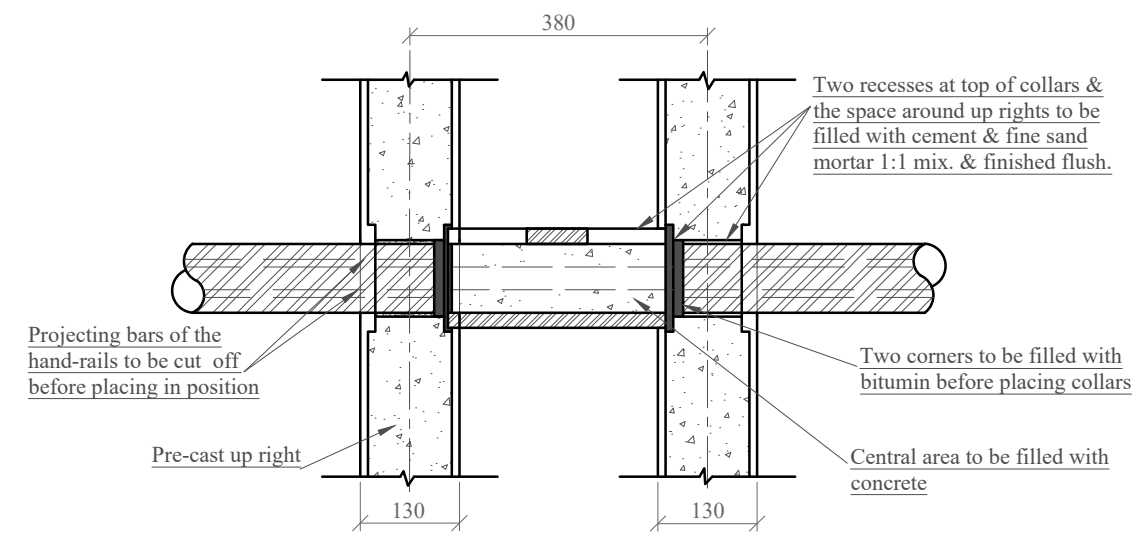
SECTION A-A
Scale 1:20



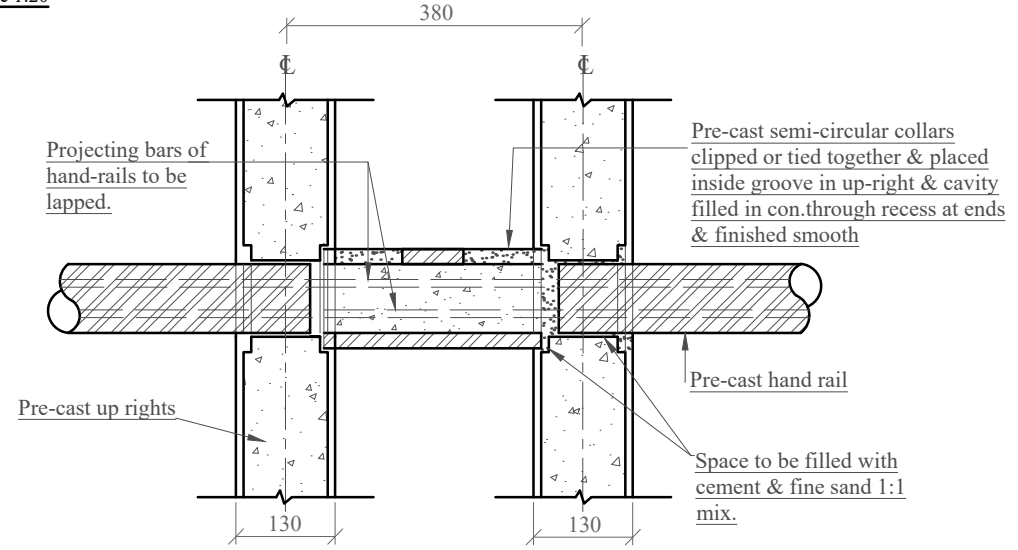
PLAN
Scale 1:20



SECTION B-B
Scale 1:20



DETAILS OF FIXING PRE CAST HAND RAILS & CENTRAL COLLARS TO UP RIGHTS AT THE EXPANSION SPACE BAY
Scale 1:10



DETAILS OF FIXING HAND RAILS & CENTRAL PRE CAST COLLARS TO UP RIGHTS
Scale 1:10

Notes

1. Fixing of posts & hand rails to be done such that the alignment & finish lines of rails to match with camber of bridge deck.
2. For details of pre-cast units refer Drg.No T/B/023/A.

RECONSTRUCTION OF BRIDGE NO 18/3 ON KALUGAMUWA - VILAKATUPOTHA ROAD (B-190) BALANCE WORK

DRAWING TITLE:- TYPE HAND RAILS AND UPRIGHTS

SCALE - 1:2

REV	DESCRIPTION	BY	DATE

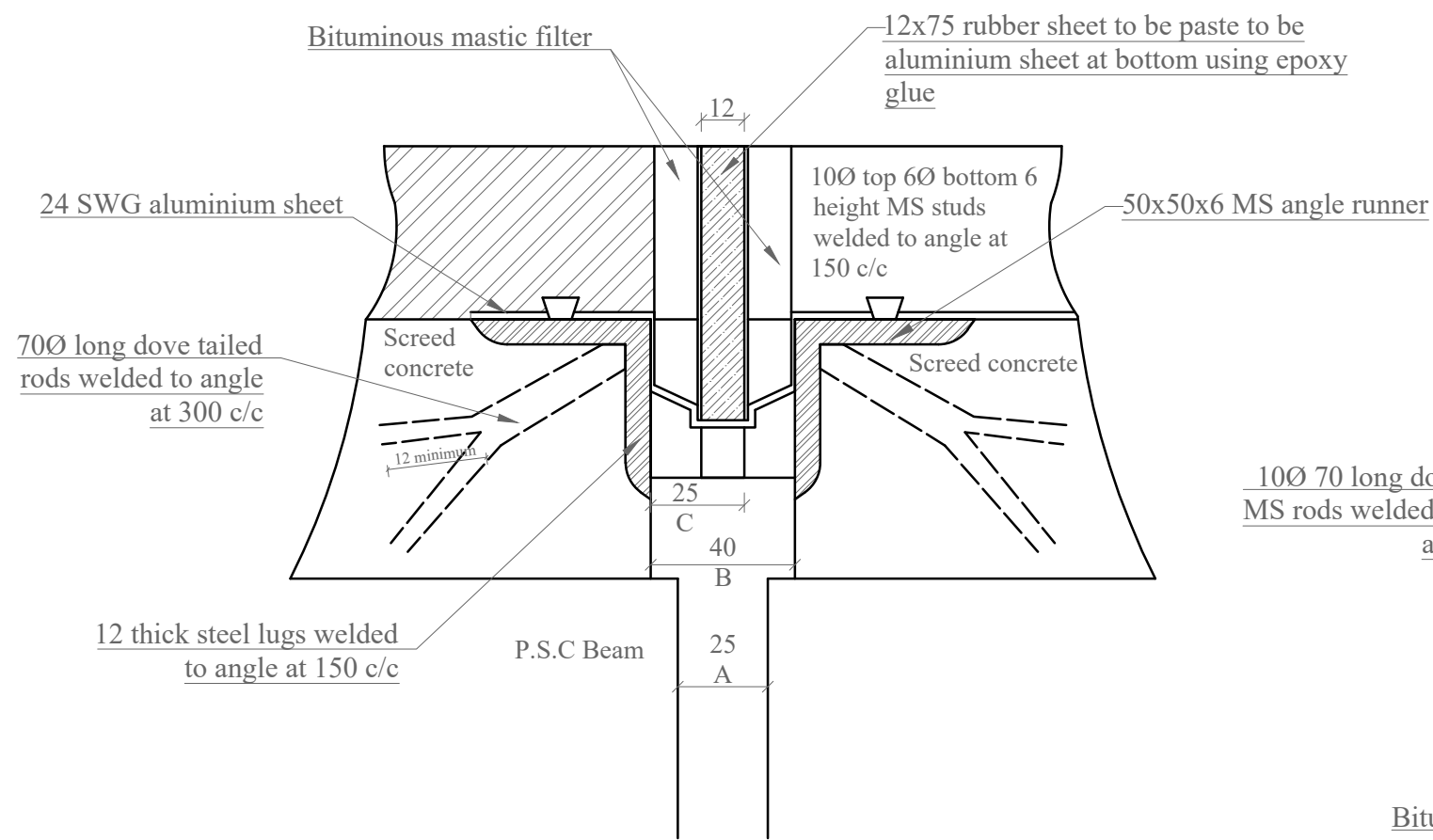
DEMOCRATIC SOCIALIST REPUBLIC OF SRI LANKA
MINISTRY OF HIGHWAYS & ROAD DEVELOPMENT

SURVEYED & PLOTTED :
DESIGNED : T. G. S. D. Thannegedara
DRAWN : H. M. R. W. Herath
CHECKED :

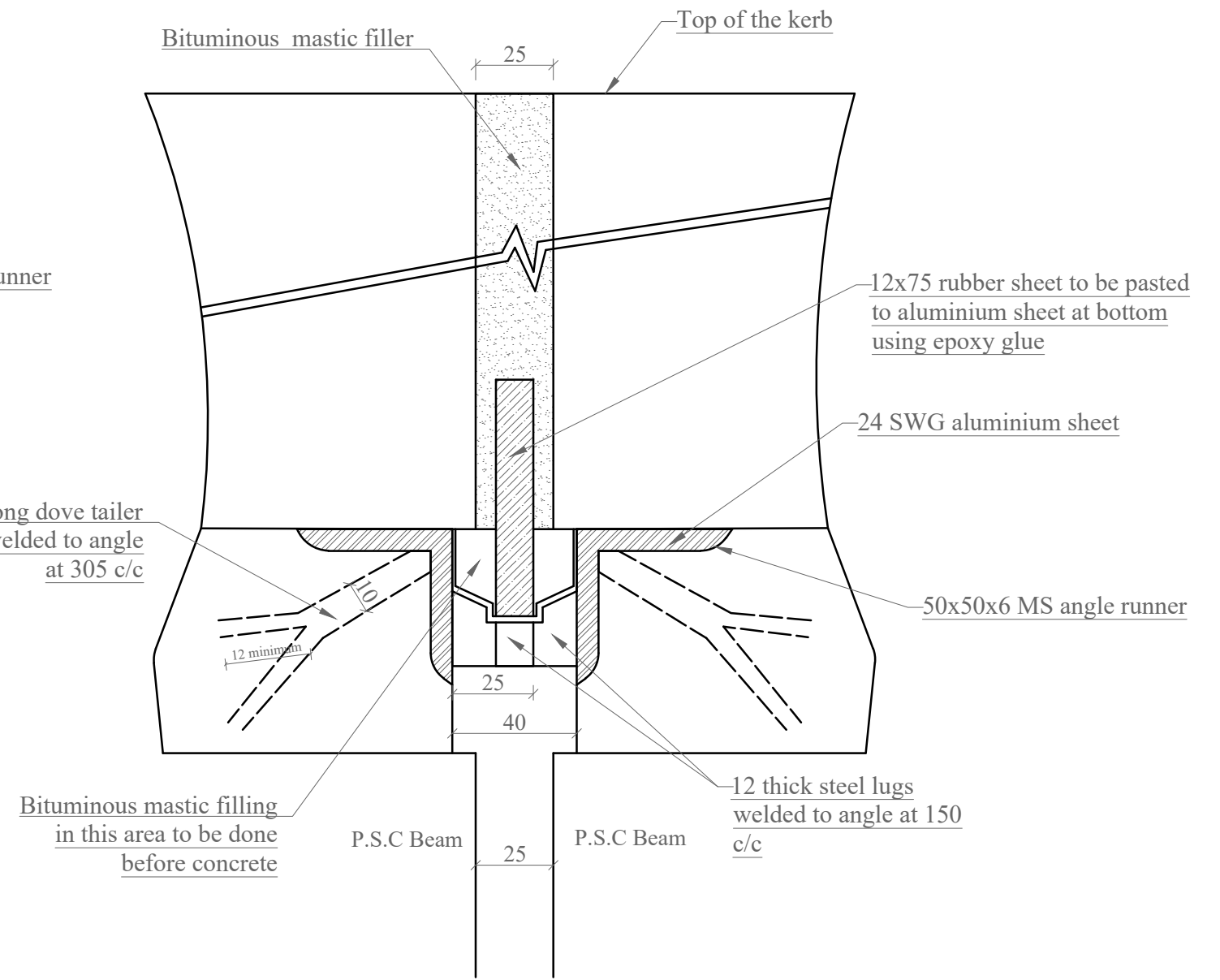
C.E. (DESIGN) :
PROVINCIAL DIRECTOR :

DESIGN OFFICE (NWP),
ROAD DEVELOPMENT AUTHORITY
KURUNEGALA.
TEL : 0372228836 FAX : 0372228076

DATE : 10-06-2024
DRG.No. : RDA/NWP/TT/497-13



SECTION C-C
Scale 1:2



SECTION R-R
Scale 1:2

50 mm Expansion joint

The dimensions marked A,B,C,D,E are to be read as follows for the 50mm expansion joint

A=50 B=50 C=30 D=18 E=50

RECONSTRUCTION OF BRIDGE NO 18/3 ON
KALUGAMUWA - VILAKATUPOTHA ROAD (B-190) BALANCE WORK

REV	DESCRIPTION	BY	DATE



DEMOCRATIC SOCIALIST REPUBLIC OF SRI LANKA
MINISTRY OF HIGHWAYS & ROAD DEVELOPMENT



DESIGN OFFICE (NWP),
ROAD DEVELOPMENT AUTHORITY
KURUNEGALA.
TEL : 0372228836 FAX : 0372228076

SURVEYED & PLOTTED :

DESIGNED : T. G. S. D. Thannegedara

DRAWN : H. M. R. W. Herath

CHECKED :

DRAWING TITLE:- TYPE EXPANSION JOINT FOR BRIDGE DECKS

SCALE - 1:2

C.E. (DESIGN) :

PROVINCIAL DIRECTOR :

DATE : 10-06-2024

DRG.No. : RDA/NWP/T/497-14